

Switch actuator, 1-channel, 5-wire with potential-free changeover contact

with Bluetooth mesh technology,
through intelligently networked
switching actuators

 Bluetooth®  5 Mesh

Controllable
with the Kopp
HomeConnect
App



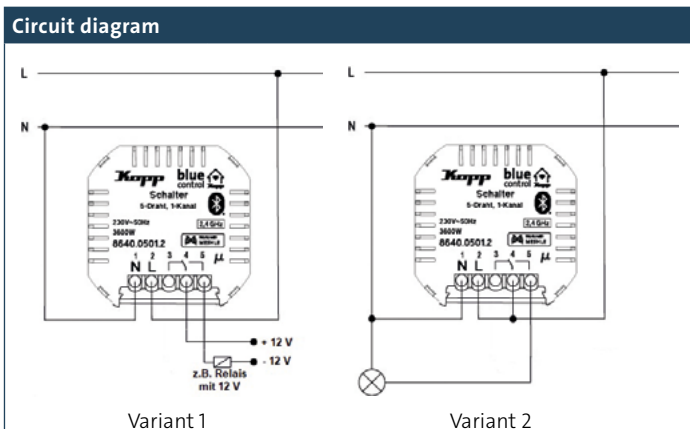
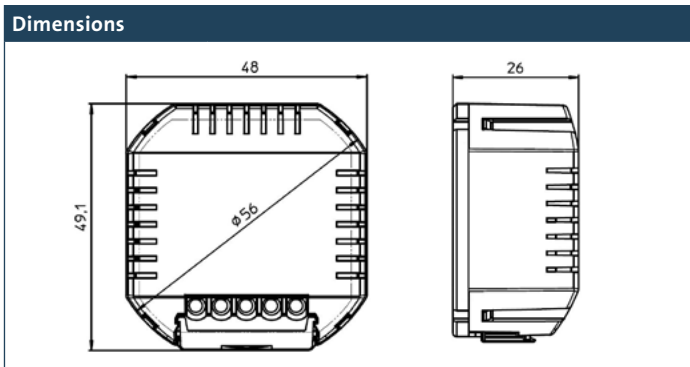
Product features

- ✓ For connection of one consumer
- ✓ With potentialfree contact
- ✓ Switching capacity of 3,600 W
- ✓ High operational reliability
- ✓ Updateable
- ✓ Modular expandable system
- ✓ Expandable to a building and energy management system
- ✓ Operation without gateway or internet connection possible
- ✓ Active Bluetooth mesh node

Clever sein.
Kopp einschalten.

Kopp

Product	
Article number:	8640.0501.2
Product name:	Switch actuator, 1-channel, 5-wire, with potential-free changeover contact, with Bluetooth mesh technology
EAN code:	4008224658454
PU:	5
PG:	121
Dimensions, weight	
Mechanical dimensions (l x w x h):	(49.1 x 48 x 26) mm
Weight:	45.15 g
Technical features	
Power supply:	230 V AC +/- 10 %
Frequency:	50 Hz
Transmit frequency:	2.4 GHz
Transmitting power:	< 10 mW
Range (free field):	Up to 40 m (mesh topology)
Antenna:	Integrated
Number of station presets:	1024
Number of channels:	1
Bidirectional data transmission:	Yes
Switching contact:	1x changeover contact (relay contacts, potential-free)
Switchable voltages:	6 V – 230 V AC
Load current:	16 A
Resistive load:	3,600 W
Incandescent lamps:	1,000 W
Fluorescent lamps (series-compensated):	1,500 W
Fluorescent lamps (parallel-compensated):	130 W
Low-voltage halogen lamps with conventional transformer:	1,000 W
Low-voltage halogen lamps with electronic transformer:	1,000 W
High-voltage halogen lamps:	1,000 W
Energy-saving lamps:	100 W
LEDs*:	150 W
Number of terminals:	5
Standby power (PV):	< 0.4 W
Terminal assignment:	N (1), L (2), foot contact L (4), 2 x connection consumer: (1 x opener (3+4), 1 x normally open contact (4+5))
Clamping cross-section:	1.5 mm ²
Standard operating temperature:	25 °C
Operating temperature:	-20 °C to 60 °C
Storage temperature:	-30 °C to 80 °C
Protection class:	IP 20
Pollution degree:	2
Mounting position:	any
Mounting:	Flush-mounted box, Junction box, mounting clip
Conformity:	RED



* Consider manufacturer's specifications Power specifications depend on the associated ballasts.