

# Switch actuator, 2-channel, 4-wire

with Bluetooth mesh technology,  
through intelligently networked  
switching actuators

 Bluetooth®  5 Mesh

Controllable  
with the Kopp  
HomeConnect  
App



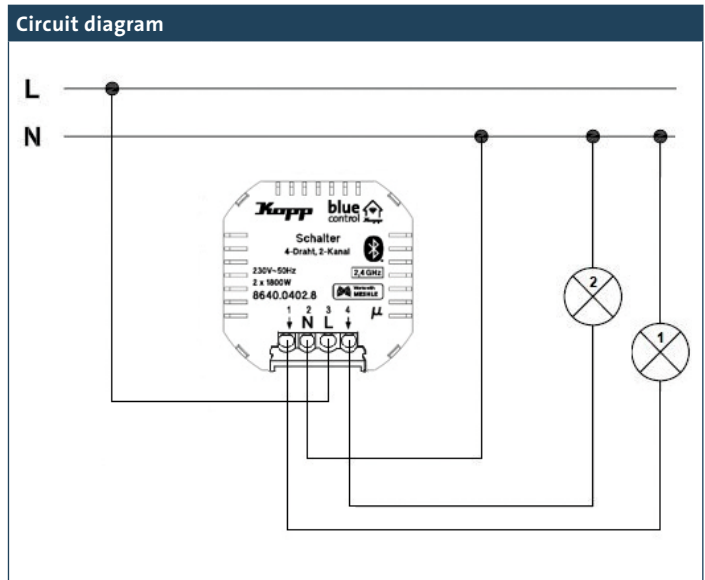
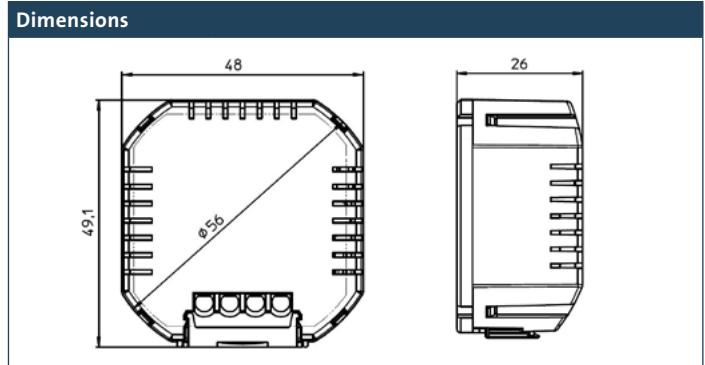
## Product features

- ✓ For connection of two consumers
- ✓ Switching capacity of 2 x 1,800 W
- ✓ High operational reliability
- ✓ Updateable
- ✓ Modular expandable system
- ✓ Expandable to a building and energy management system
- ✓ Operation without gateway or internet connection possible
- ✓ Active Bluetooth mesh node

Clever sein.  
Kopp einschalten.

**Kopp**

Product	
Article number:	8640.0402.8
Product name:	Blue-control Switch actuator, 2-channel, 4-wire with Bluetooth mesh technology
EAN code:	4008224658461
PU:	5
PG:	121
Dimensions, weight	
Mechanical dimensions (l x w x h):	(49.1 × 48 × 26) mm
Weight:	46.07 g
Technical features	
Power supply:	230 V AC +/- 10 %
Frequency:	50 Hz
Transmit frequency:	2.4 GHz
Transmitting power:	< 10 mW
Range (free field):	Up to 40 m (mesh topology)
Antenna:	Integrated
Number of station presets:	1024
Number of channels:	1
Bidirectional data transmission:	Yes
Switchable voltages:	230 V AC
Load current:	2 × 8 A
Resistive load:	2 × 1,800 W
Incandescent lamps:	2 × 900 W
Fluorescent lamps (series-compensated):	2 × 750 W
Fluorescent lamps (parallel-compensated):	2 × 65 W
Low-voltage halogen lamps with conventional transformer:	2 × 500 W
Low-voltage halogen lamps with electronic transformer:	2 × 500 W
High-voltage halogen lamps:	2 × 500 W
Energy-saving lamps:	2 × 50 W
LEDs*:	2 × 75 W
Number of terminals:	4
Standby power (PV):	< 0.4 W
Terminal assignment:	L (3), N (2), 2 x connecting consumers (1), (4)
Clamping cross-section:	1.5 mm <sup>2</sup>
Standard operating temperature:	25 °C
Operating temperature:	-20 °C to 60 °C
Storage temperature:	-30 °C to 80 °C
Protection class:	IP 20
Pollution degree:	2
Mounting position:	any
Mounting:	Flush-mounted box, Junction box, mounting clip
Conformity:	RED



\* Consider manufacturer's specifications Power specifications depend on the associated ballasts.