

Hybrid-Smart-Switch Universaldimmer, 1-channel, 2-wire

electronic multifunction
switch with Bluetooth mesh
technology and universal rocker
mount for the common brands
of switch manufacturers Kopp,
Gira, Busch-Jaeger, Berker,
Merten, Opus and Jung

Controllable
with the Kopp
HomeConnect
App

 Bluetooth®  5 Mesh



Product features

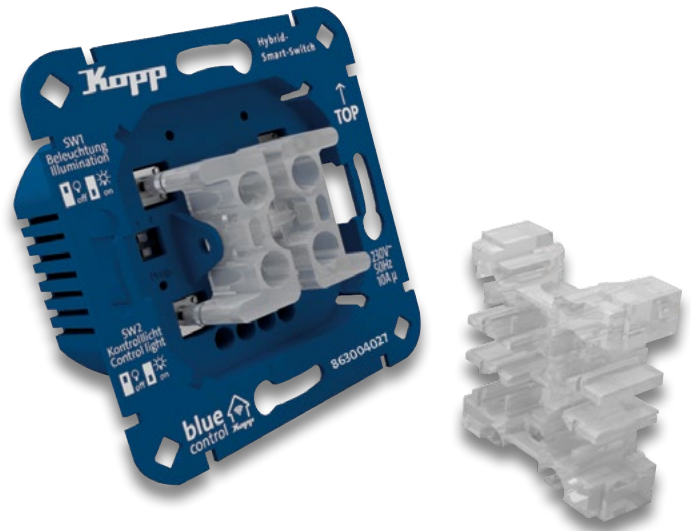
- ✓ Brightness control from 0 to 100 % for one consumer
- ✓ LED suitable
- ✓ Transmitter and receiver in one device
- ✓ With individually adjustable control or orientation light function
- ✓ Installation in flat switch boxes possible
- ✓ High operational reliability
- ✓ Updateable
- ✓ Modular expandable system
- ✓ Expandable to a building and energy management system
- ✓ Active Bluetooth mesh node

Clever sein.
Kopp einschalten.

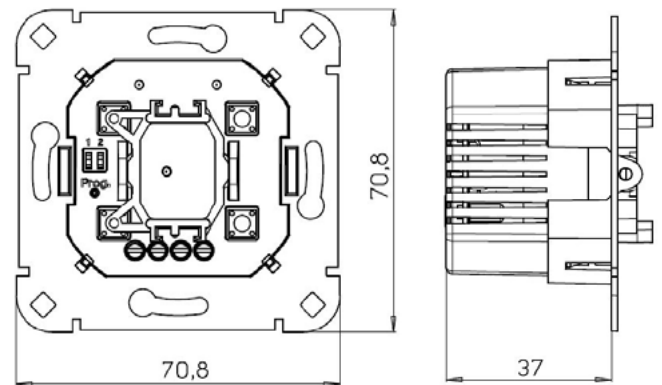
Kopp

Product	
Article number:	8632.0201.4
Product name:	Blue-control Hybrid-Smart-Switch electronic multifunctional dimmer with universal dimming function, 1-channel, 2-wire, with Bluetooth mesh technology
EAN code:	4008224660365
PU:	5
PG:	121
Abmessungen, Gewicht	
Mechanical dimensions (l x w x h):	70.8 x 70.8 x 37 mm
Weight:	45.08 g
Technical features	
Power supply:	230 V AC +/- 10 %
Frequency:	50 Hz
Transmit frequency:	2.4 GHz
Transmitting power:	< 10 mW
Range (free field):	Up to 40 m (mesh topology)
Antenna:	Integrated
Number of station presets:	1024
Number of channels:	1
Bidirectional data transmission:	Yes
Switching contact:	MOSFET
Switchable voltages:	230 V AC
Load current:	10 A
Resistive load:	7 – 200 W/VA
Incandescent lamps:	7 – 200 W/VA
Fluorescent lamps (series-compensated):	–
Fluorescent lamps (parallel-compensated):	–
Low-voltage halogen lamps with conventional transformer:	7 – 200 W/VA
Low-voltage halogen lamps with electronic transformer:	7 – 200 W/VA
High-voltage halogen lamps:	–
Energy-saving lamps:	–
LEDs*:	7 – 100 W/VA
Number of terminals:	2
Standby power (PV):	< 0.4 W
Terminal assignment:	L (2), connection consumer (3)
Clamping cross-section:	max. 2.5 mm ²
Standard operating temperature:	25 °C
Operating temperature:	-20 °C to 60 °C
Storage temperature:	-30 °C to 80 °C
Protection class:	IP 20
Pollution degree:	2
Mounting:	Flush-mounted box, Surface-mounted housing
Conformity:	RED

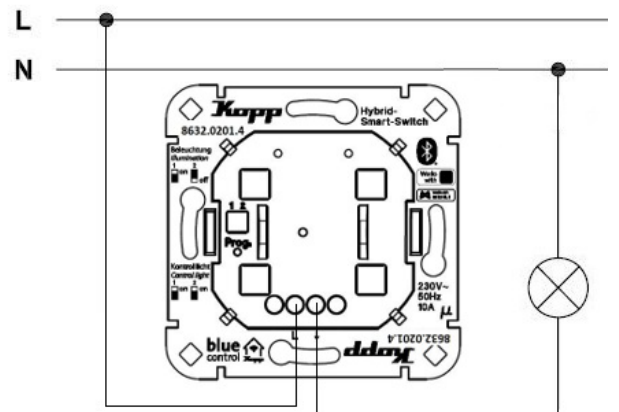
* Consider manufacturer's specifications Power specifications depend on the associated ballasts.



Dimensions



Circuit diagram



Technical descriptions, illustrations and performance specifications do not represent any promised characteristics but are only non-binding information. Changes due to technical changes due to technical progress, changes in standards, changes in manufacturing processes or design improvements are expressly reserved. Status: 01.05.2022