

Hybrid-Smart-Switch

1-channel, 3-wire

electronic multifunction switch with Bluetooth mesh technology and universal rocker mount for the common brands of switch manufacturers Kopp, Gira, Busch-Jaeger, Berker, Merten, Opus and Jung



 Bluetooth®  5 Mesh

Product features

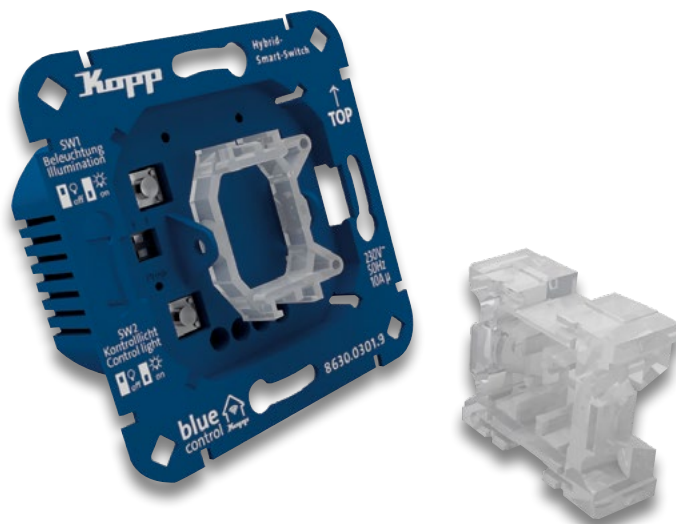
- ✓ For connection of one consumer
- ✓ Switching capacity of 2,300 W
- ✓ Transmitter and receiver in one device
- ✓ With individually adjustable control or orientation light function
- ✓ Installation in flat switch boxes possible
- ✓ High operational reliability
- ✓ Updateable
- ✓ Modular expandable system
- ✓ Expandable to a building and energy management system
- ✓ Active Bluetooth mesh node

Clever sein.
Kopp einschalten.

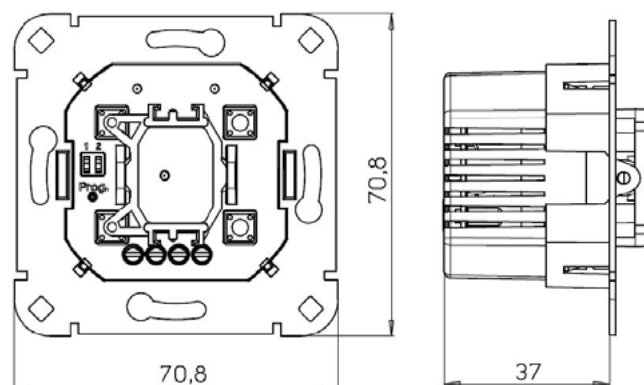
Kopp

Product	
Article number:	8630.0301.9
Product name:	Blue-control Hybrid-Smart-Switch electronic multifunction switch, 1-channel, 3-wire, with Bluetooth Mesh-Technology
EAN code:	4008224660310
PU:	5
PG:	121
Dimensions, weight	
Mechanical dimensions (l x w x h):	70.8 x 70.8 x 37 mm
Weight:	47 g
Technical features	
Power supply:	230 V AC +/- 10 %
Frequency:	50 Hz
Transmit frequency:	2.4 GHz
Transmitting power:	< 10 mW
Range (free field):	Up to 40 m (mesh topology)
Antenna:	Integrated
Number of station presets:	1024
Number of channels:	1
Bidirectional data transmission:	Yes
Switching contact:	1 x normally open contact (relay contact, not potential-free)
Switchable voltages:	230 V AC
Load current:	10 A
Resistive load:	2,300 W
Incandescent lamps:	635 W
Fluorescent lamps (series-compensated):	955 W
Fluorescent lamps (parallel-compensated):	80 W
Low-voltage halogen lamps with conventional transformer:	635 W
Low-voltage halogen lamps with electronic transformer:	635 W
High-voltage halogen lamps:	635 W
Energy-saving lamps:	60 W
LEDs*:	90 W
Number of terminals:	3
Standby power (PV):	< 0.4 W
Terminal assignment:	N (1), L (2), connection consumer (4)
Clamping cross-section:	max. 2.5 mm ²
Standard operating temperature:	25 °C
Operating temperature:	-20 °C to 60 °C
Storage temperature:	-30 °C to 80 °C
Protection class:	IP 20
Pollution degree:	2
Mounting:	Flush-mounted box, Surface-mounted housing
Conformity:	RED

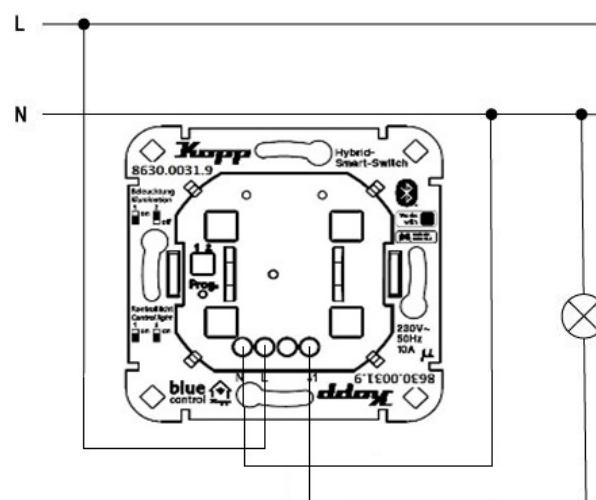
* Consider manufacturer's specifications Power specifications depend on the associated ballasts.



Dimensions



Circuit diagram



Technical descriptions, illustrations and performance specifications do not represent any promised characteristics but are only non-binding information. Changes due to technical changes due to technical progress, changes in standards, changes in manufacturing processes or design improvements are expressly reserved. Status: 01.05.2022